

# Dry Transformer Monitoring Solution

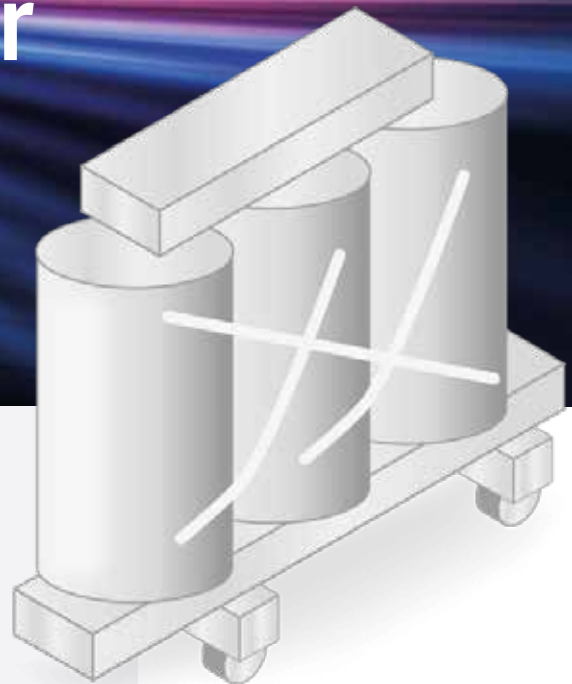
## Continuous Thermal Monitoring for Cast Resin Core Transformers

Dry Transformers are critical to the integrity of the electrical distribution. When a transformer fails it is highly likely that the infrastructure will suffer an electrical outage, and will result in unplanned downtime and potentially expensive repair work.

The installation of thermal sensors to continuously monitor critical electrical assets such as transformers can help prevent power outages.

Exertherm 24x7 thermal monitoring technology collects real-time temperature data from critical assets, delivering enhanced safety, cost savings from increased efficiency, and many IIOT-associated benefits.

Protect critical electrical infrastructure from power outages  
**24x7 Thermal Monitoring Solutions**



### 24x7 Hotspot Detection

- Enhance safety
- Save costs
- Increase efficiency

#### Americas

North America  
Call +1 346 257 7479

South America  
Call +55 (11) 5197-7966

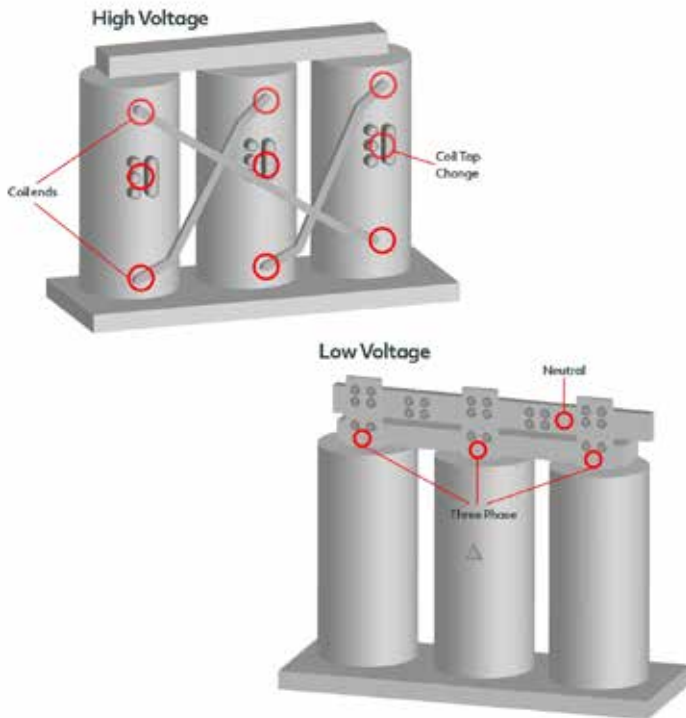
#### EMEA

United Kingdom  
Call +44 (0) 1582 461 123

#### APAC

Singapore  
Call +65 9848 8155

## The only non-contact and non-powered dry transformer monitoring solution



Dry Transformers can fail due to many reasons, but one of the common causes is overheating due to deteriorating joints or connections. Identifying these signs of a potential failure early on is key to avoiding power outages.

### For High Voltage applications:

- IR sensors continuously monitor both ends of each coil
- IR sensor also continuously monitor coil tap connections

### For Low Voltage:

- IR sensors continuously monitor the three phase and neutral

IR sensors connect to the Exertherm Modbus Datacard which collects and transmits the sensor temperature data, and activates an alarm when a fault is detected.

### Features:

- Permanently installed sensors
- The only non-contact and non-powered transformer monitoring solution
- Reliability via a lifetime guarantee
- Provides 24x7 real-time asset data
- Suitable for new build or retrofit
- OEM vendor neutral

### Benefits:

- Increase operational uptime and reliability
- Greater facility and operator safety
- Reduce risk of fire/explosion resulting from arc flash
- Reduce unplanned maintenance
- No future inspection downtime
- Cost savings from reduced outages



Receive advance warning of a potentially faulty or compromised joint before larger, more significant problems occur.

### Americas

North America  
Call +1 346 257 7479

South America  
Call +55 (11) 5197-7966

### EMEA

United Kingdom  
Call +44 (0) 1582 461 123

### APAC

Singapore  
Call +65 9848 8155